



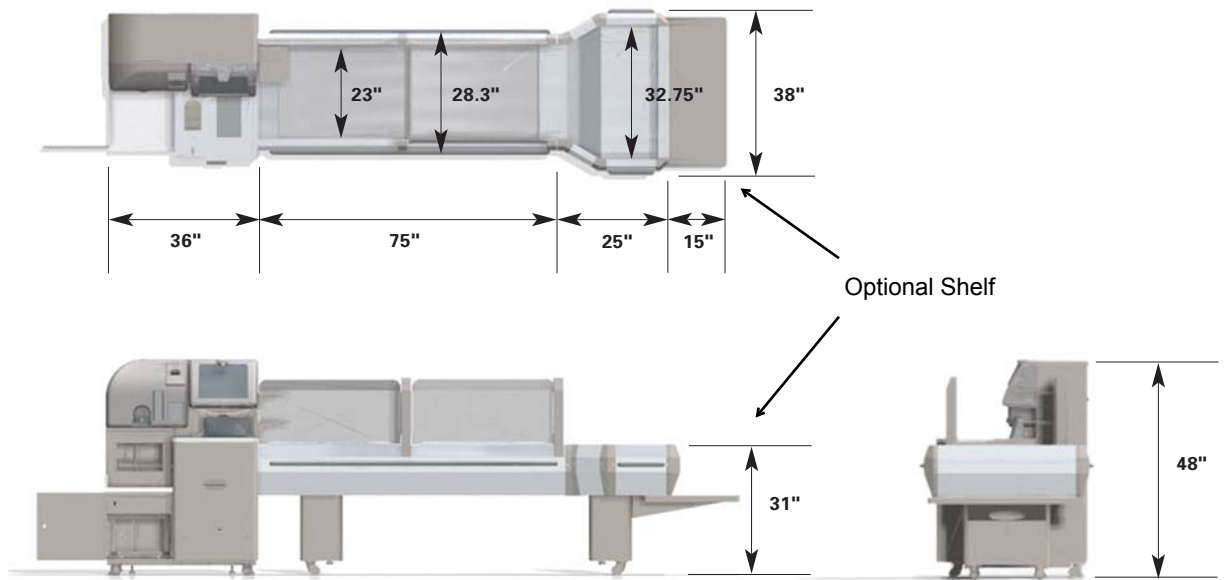
## U-Scan MAX Single Self-Checkout



Single belt, maximum capacity

### The Best Belted Unit Ever Built

The U-Scan MAX Single self-checkout is equipped with a takeaway belt that allows customers to “scan, pay, then bag” which speeds up the checkout process versus the “scan, bag, then pay” routine commonly required in traditional systems. The U-Scan Max Single also allows for bagger support during peak business hours. It fits in a similar footprint as an existing checkout, enabling easy installation. With some shoppers preferring to manage their own checkout with no waiting, your other shoppers will have shorter lines.



Measurements are approximate. U-Scan\* layout availability is subject to individual store set-ups, e.g.: accessibility to electrical outlets, width of shopping carts, direction of exit, etc.

U-Scan MAX Single Specifications		
<p><b>U-Scan System Software</b></p> <p>The U-Scan system can support the following POS applications:</p> <ul style="list-style-type: none"> <li>■ StoreNext ISS45 V8</li> <li>■ StoreNext ISS45 V7</li> <li>■ StoreNext ScanMaster V2</li> <li>■ Retailix StoreLine</li> </ul>	<p><b>U-Scan MAX Terminals</b> <i>(continued)</i></p> <ul style="list-style-type: none"> <li>■ Multiple language support</li> <li>■ Bill and coin acceptors and dispensers</li> <li>■ Credit and debit card reader with secure pin pad</li> <li>■ Coupon detector to verify coupon presence</li> <li>■ POS-style receipt printer</li> <li>■ Optional biometrics reader</li> <li>■ Optional signature capture device</li> <li>■ Non bar coded item editor allows layout and content customization for items such as produce</li> <li>■ Alphabetic search for non bar coded items</li> <li>■ Alphabetic search for non bar coded items</li> </ul>	<p><b>Media and Tendering Options</b></p> <ul style="list-style-type: none"> <li>■ Cash (bills and coins)</li> <li>■ Credit</li> <li>■ Debit</li> <li>■ Cash back</li> <li>■ EBT</li> <li>■ Checks</li> <li>■ Coupons</li> <li>■ WIC</li> <li>■ Gift certificates</li> <li>■ Coupon processing with automated verification</li> </ul>
	<p><b>U-Scan MAX Terminals</b></p> <ul style="list-style-type: none"> <li>■ Extendable 15" shelf accommodates two standard bag racks</li> <li>■ Retail-hardened bill dispensers and PC units</li> <li>■ Intuitive color touch screen interface with voice prompts</li> </ul>	<p><b>Dimensions</b></p> <p>151" L x 38" W x 48" H (3.83m L x 0.97m W x 1.22m H)</p>



STORENEXT RETAIL TECHNOLOGIES LLC  
6100 Tennyson Parkway, Suite 130  
Plano, Texas 75024  
Phone: (972) 265-4800  
www.storenext.com

© 2006 StoreNext Retail Technologies  
Registered trademarks and trademarks are property of their respective owners. Specifications subject to change without notice. Fujitsu endeavors to ensure that the information in this document is correct and fairly stated but does not accept liability for any error or omissions. The development of Fujitsu products and services is continuous, and published information may not be up to date. It is important to check the current position with Fujitsu.